



PRODUCTS

A Division of Mass-Vac, Inc.

PORTABLE VACUUM DEGASSING SYSTEM

Now available from MV Products, a new, totally self contained portable degassing system for a variety of laboratory, research and production applications such as storage, encapsulating, potting, or freeze drying.

The MV Portable Degassing System features a 15 gallon stainless steel chamber with two perforated shelves that accommodate large containers or batches of smaller ones. Totally self contained on a compact mobile cart with locking casters, the system includes a vacuum pump, an inlet trap to protect the vacuum pump, an oil mist eliminator for pump exhaust, and 1½" clear Lucite hinged cover for full contents viewing.

Fully equipped with a Formica table top, a pump isolation valve, vent valve, illuminated power switch, and a large 3¼" dial Bourdon vacuum gauge, the MV Products Portable Degassing System measures 24" W x 32" L x 36½" H. An optional rotary motion feed-through accessory is available that allows for stirring as well as contents manipulation.

The unit is equipped with a 10 CFM industrial heavy duty rotary vane vacuum pump designed to enable product degassing in a matter of minutes on most viscous materials including resins, epoxies, and urethanes. Other pumps are available on request. Tanks can be customized to meet your specific requirements.



Model 220115

Degassing — Encapsulating Potting — Drying Storing

**Contact MV Products for your
vacuum needs!**

CALL TO ORDER

(978) 667-2393

MV Products
247 Rangeway Road, P.O. Box 359
North Billerica, Massachusetts 01862-0359

Fax: (978) 671-0014
E-mail: sales@massvac.com
Web: www.massvac.com

SPECIFICATIONS

Model 220115 Degassing Chamber complete with:

- Direct Drive, Single Stage Rotary Vane Vacuum Pump, capacity 10 cfm, Ultimate Vacuum 10 mbar
- VisiTrap Vacuum Inlet Trap
- VisiMist Oil Mist Eliminator
- Bourdon Dial Gauge 0 to 30" Hg
- Isolation Valve
- Vent Valve
- On/Off Power Switch
- 314 Stainless Steel Vacuum Chamber

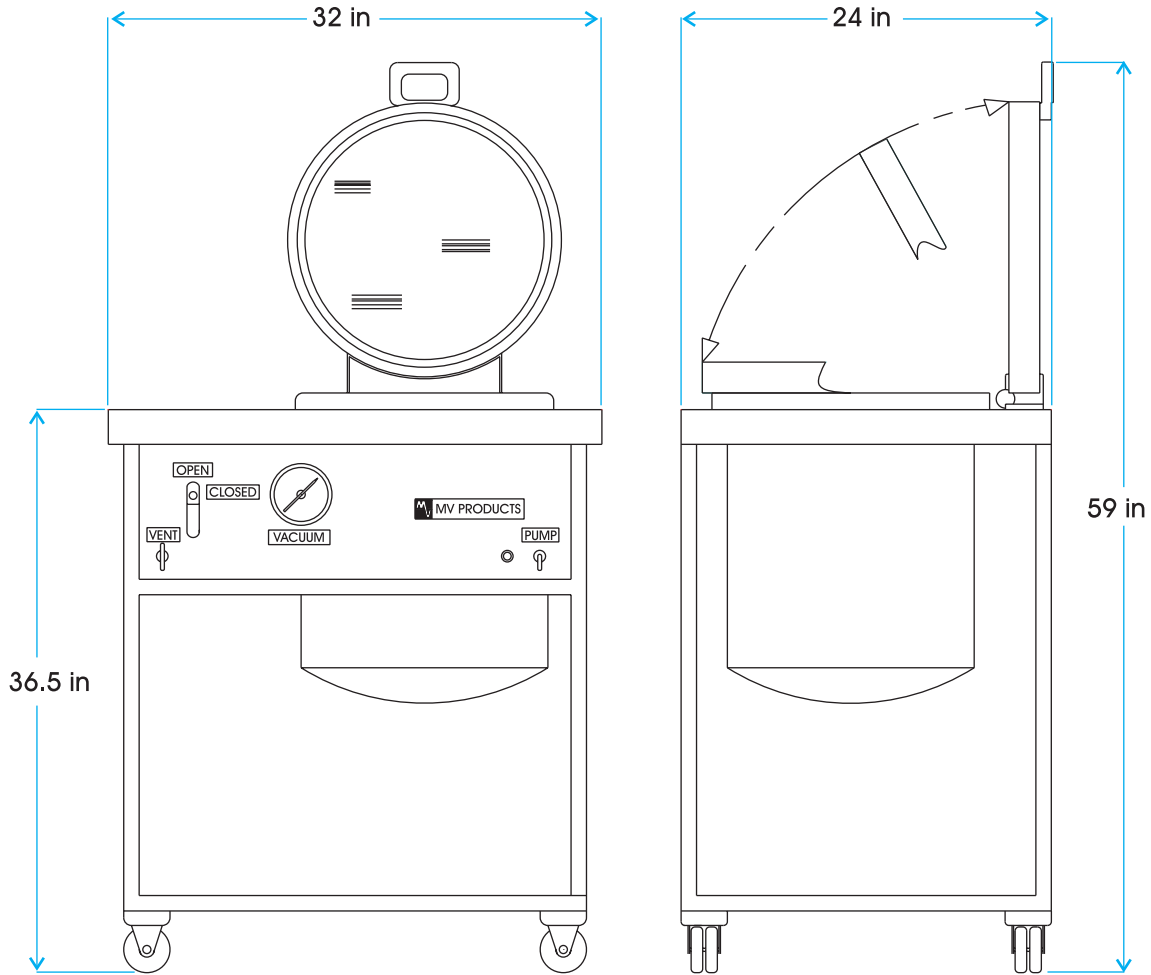
Refer to reverse for ordering information and installation drawing.



PRODUCTS

A Division of Mass-Vac, Inc.

PORTABLE VACUUM DEGASSING SYSTEM



Also Available: Vacuum Degassing Chamber



Also visit us on the web at:

www.massvac.com

CALL TO ORDER

(978) 667-2393