



**PRODUCTS**

A Division of Mass-Vac, Inc.

# MV MULTI-TRAP™

## Key Features

- Protects oil-sealed vacuum pumps and dry vacuum pumps
- Removes corrosive and abrasive particles that can destroy your vacuum pump
- Processes such as TEOS, NITRIDE, POLY, LTO, HTO, and PLASMA
- Modular design makes the unit easier to disassemble and clean
- Element replacement is fast and easy
- Water or refrigerant cooling options are available

The MV MULTI-TRAP® is a high capacity, high conductance vacuum inlet trap that protects your pump against corrosive chemicals and abrasive particles present in your vacuum system. It features a three stage effluent trapping system: the first stage knocks down heavy particles and condenses volatile solids and liquids on large surface areas; stages two and three contain two parallel banks of filter elements which can be customized to remove corrosive chemicals and fine particles. A water or refrigerant cooled accessory cools the first stage for even more effective condensation.

V band clamps are used on both the top and bottom of the trap, making disassembly easier and providing for better access to all the trap parts for cleaning and replacement.

The trap uses Buna N "O" rings for the upper and lower seals. Because they are standard size "O" rings, they are available in a variety of materials such as Viton and silicone.

## High Capacity, High Efficiency Vacuum Inlet Trap



Because of the unique design, the trap can be mounted in several different positions. It can be assembled with the exhaust port at the top of the trap or at the bottom. The system port rotates through 360 degrees and can be changed from a high to a low position. The trap can be mounted directly on top of the vacuum pump if required, and can be serviced without removing the vacuum connections.

The first stage is a "knock down" stage that disperses particles and offers a large surface for vapors to condense. The second stage consists of five or six filter elements, usually a mesh such as stainless steel gauze or copper gauze depending on the application. The metal gauze provides a large surface area for vapors to condense and for trapping larger particles. The third stage uses five or six filter elements as well, and can be supplied with any of our filter elements such as PolyPro 2, 5, 20 micron particle filters; molecular sieve; activated charcoal; SodaSorb; or activated alumina.

### CALL TO ORDER

**(978) 667-2393**

#### MV Products

247 Rangeway Road, P.O. Box 359  
North Billerica, Massachusetts 01862-0359

Fax: (978) 671-0014  
E-mail: [sales@massvac.com](mailto:sales@massvac.com)  
Web: [www.massvac.com](http://www.massvac.com)



*Cutaway view showing optional cooling accessory*

## SPECIFICATIONS

<b>Construction</b>	Stainless steel
<b>Seals</b>	Buna N O-rings; upper and lower seals
<b>Dimensions</b>	Refer to drawings on opposite page

MV Products offers several interchangeable inserts:

Type	Description
Copper gauze	Large surface area traps condensable particles and oil vapors
Stainless steel gauze	Same as copper gauze, but with added corrosion protection
Molecular sieve	Reduces mechanical pump back-streaming and traps water vapor
Sodasorb®	Minimizes migration of corrosive chemicals and neutralizes acidic vapors
Activated charcoal	Removes organic vapors
PolyPro 2µm	Traps high volumes of solids and particulates as small as 2 microns; available in 3 sizes
PolyPro 5µm	Same as above
PolyPro 20µm	Same as above

### Models 355040, 355050

The 10" version of the MV Multi-Trap features five filter elements in the second and third stages. An optional cooling accessory (Model 355210, shown at right) is available to replace the bottom dome of the trap.

### Models 355080, 355100

All features of these 12" models of the MV Multi-Trap are identical to the 355080 and 355050 traps with the exception that the 355080 and 355100 have six filter elements in the second and third stages. The optional cooling coil accessory is also available on the 12" traps.

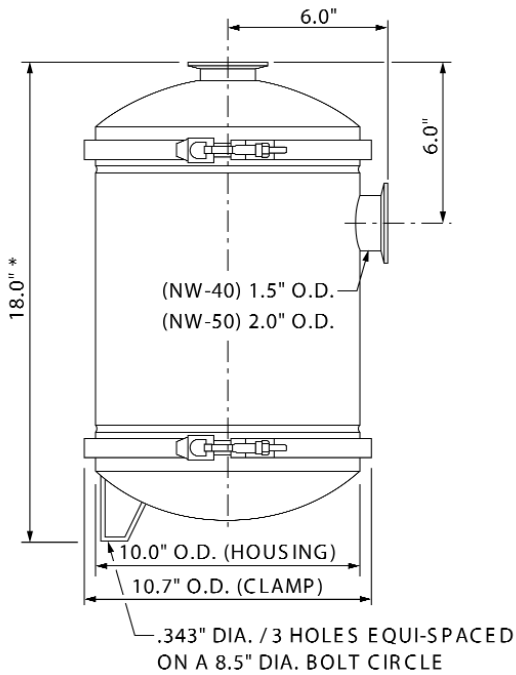
Other configurations are available by special order. Refer to "Ordering Information" on the back page for details.



*Optional cooling coil accessory*

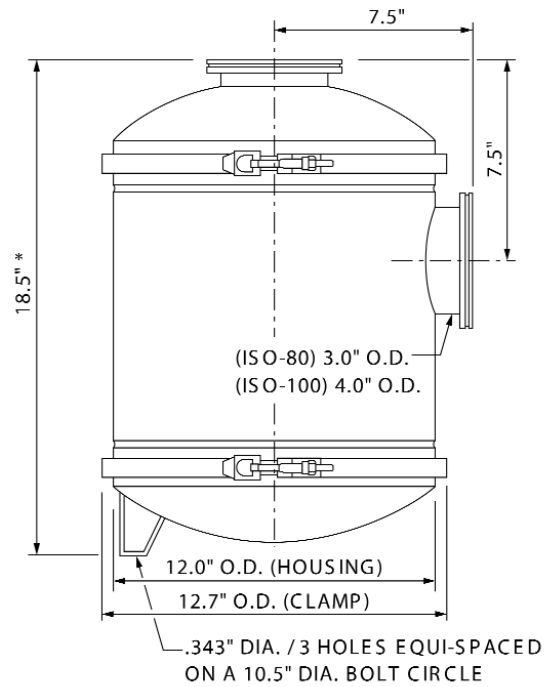


## Installation Drawings



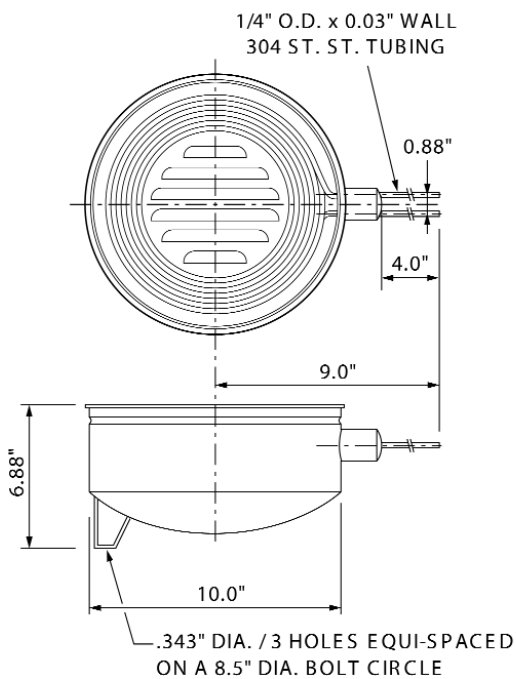
\* WITH COOLING OPTION INSTALLED, THIS DIMENSION IS APPROXIMATELY 21.25"

**MODEL 355040 (NW-40)**  
**MODEL 355050 (NW-50)**

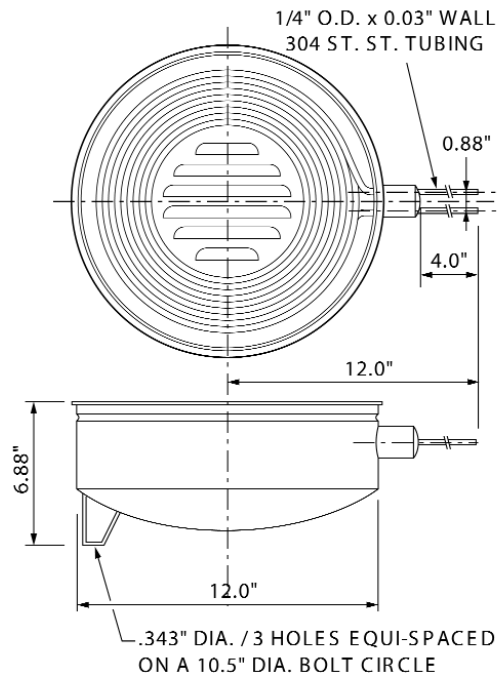


\* WITH COOLING OPTION INSTALLED, THIS DIMENSION IS APPROXIMATELY 22.0"

**MODEL 355080 (ISO-80)**  
**MODEL 355100 (ISO-100)**



**MODEL 355210**



**COOLING COIL ACCESSORY**  
**MODEL 355212**



## ORDERING INFORMATION

Description	Model Number	Flange Type
10" diameter MULTI-TRAP; 1.5" inlet/exhaust ports. Requires 5 filter elements in stage 2 and 5 elements in stage 3 (elements NOT included).	355040	NW-40
Same as 355040 except with 2" ports	355050	NW-50
Cooling options for 355040 and 355050	355210	n/a
12" diameter MULTI-TRAP; 3" inlet/exhaust ports. Requires 6 filter elements in stage 2 and 6 elements in stage 3 (elements NOT included).	355080	ISO-80
Same as 355080 except with 4" ports	355100	ISO-100
Cooling option for 355080 and 355100	355212	n/a

**The following configurations available by special order**

Same as 355040, except straight-through configuration (inlet on bottom)	355041	NW-40
Same as 355050, except straight-through configuration (inlet on bottom)	355051	NW-50
Same as 355080, except straight-through configuration (inlet on bottom)	355081	ISO-80
Same as 355100, except straight-through configuration (inlet on bottom)	355101	ISO-100
Same as 355050, except ISO-63 flanges	355063	ISO-63
Multi-Trap converted to hold one stage of 9.5" filters instead of 2 stages of 4.5"	Add "S" to number	n/a

### Filter Media

Filter Media	Part Number
Copper gauze	300905
Stainless steel gauze	300915
Molecular sieve	300925
Sodasorb®	300935
Activated charcoal	300945
PolyPro 2µm	400925
PolyPro 5µm	400935
PolyPro 20µm	400945

Other filter media available.

Select 5 elements for Stage 2 and 5 for Stage 3 on Models 355040 and 355050

Select 6 elements for Stage 2 and 6 for Stage 3 on Models 355080 and 355100

**Quantity Discount!**  
Less 15% in Lots of 10

Also visit us on the web at:  
[www.massvac.com](http://www.massvac.com)

**CALL TO ORDER**

**(978) 667-2393**

Literature available on these fine MV products:

MV Multi-Trap 16"

MV Multi-Trap Internal Cooling Models

MV Posi-Trap and VisiTrap vacuum inlet traps

MV Visi-Flow oil filtration unit

MV Maxi-Mist, Midi-Mist, and Visi-Mist oil mist eliminators